

# UHI-SBG-0 Series Indoor Housing

www.boschsecurity.com



**BOSCH**  
Invented for life



- ▶ Economical indoor housing with mount
- ▶ Aluminum mount included
- ▶ Feed-through wiring option
- ▶ Glass fiber reinforced ABS
- ▶ Accommodates 1/4-inch, 1/3-inch, and 1/2-inch CCD cameras

The UHI-SBG-0 Housing is smartly styled for indoor use. This housing meets customers' demands for attractive housings that are both cost competitive and easy to install. They fit a wide range of 1/4 in., 1/3 in., and 1/2 in. format CCD cameras and varifocal lenses.

## Functions

The design of these housings is unique. Removal of two tamper-resistant screws is all that is necessary to open the cover and totally expose the camera and lens. This allows access to all camera and lens controls when the camera is in its mounted position. Power and video cabling can be routed through liquid tight fittings in the bottom or rear of the housing. To complete this set, a sturdy aluminum feed-through mount is added.

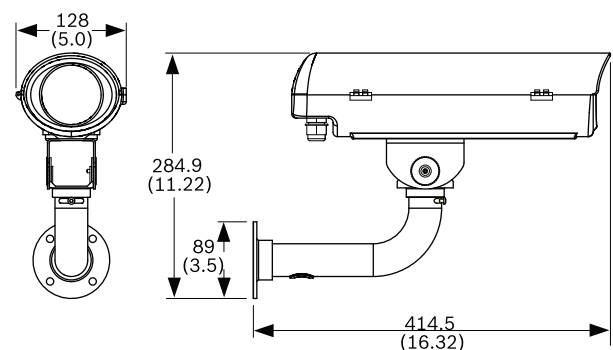
## Certifications and approvals

Product Safety

CE, UL, cUL

Region	Certification
Europe	CE
USA	UL
Canada	CSA

## Installation/configuration notes



mm  
in.

**Parts included**

Quantity	Component
1	Indoor housing
1	Aluminum bracket

**Technical specifications****Electrical**

Maximum Camera Power	Max. 10 W 24 VAC–230 VAC, 50/60 Hz, 0.5 A
----------------------	--

**Mechanical**

Max Camera/Lens Size (W x H x L)	80 x 60 x 210 mm (3.1 x 2.3 x 8.2 in.)
Cable Entry	Two liquid tight rear fittings accept cable diameters from 6.5 mm to 10.5 mm (0.26 in. to 0.42 in.). Two bottom feed-through liquid tight fittings accept cable diameters from 4.0 mm to 7.0 mm (0.16 in. to 0.28 in.).
Window	3 mm (0.12 in.) thick glass.
Housing Mounting	Includes one J-mount. Four (4) available 1/4 -20 tapped holes.
Camera Mounting	Removable camera bracket. Mounted with one screw.
Construction/Finish	Reinforced with glass fiber ABS, stainless steel hardware.
Finish	Dark mushroom.
Dimensions	See UHI-SBG-0 drawing.
Weight	1.0 kg (2.2 lb) including bracket.

**Environmental**

Temperature	-10°C (14°F) to 50°C (122°F)
Enclosure Protection	IP30 (indoor use only)

**Ordering information****UHI-SBG-0 Series Indoor Housing**

For camera/lens lengths up to 210 mm (8.2 in.)  
Order number **UHI-SBG-0**

**Represented by:****Americas:**

Bosch Security Systems, Inc.  
130 Perinton Parkway  
Fairport, New York, 14450, USA  
Phone: +1 800 289 0096  
Fax: +1 585 223 9180  
security.sales@us.bosch.com  
www.boschsecurity.us

**Europe, Middle East, Africa:**

Bosch Security Systems B.V.  
P.O. Box 80002  
5617 BA Eindhoven, The Netherlands  
Phone: + 31 40 2577 284  
Fax: +31 40 2577 330  
emea.securitysystems@bosch.com  
www.boschsecurity.com

**Asia-Pacific:**

Robert Bosch (SEA) Pte Ltd, Security Systems  
11 Bishan Street 21  
Singapore 573943  
Phone: +65 6571 2808  
Fax: +65 6571 2699  
apr.securitysystems@bosch.com  
www.boschsecurity.asia

**China:**

Bosch (Shanghai) Security Systems Ltd.  
201 Building, No. 333 Fuquan Road  
North IBP  
Changning District, Shanghai  
200335 China  
Phone +86 21 22181111  
Fax: +86 21 22182398  
www.boschsecurity.com.cn

**America Latina:**

Robert Bosch Ltda Security Systems Division  
Via Anhanguera, Km 98  
CEP 13065-900  
Campinas, Sao Paulo, Brazil  
Phone: +55 19 2103 2860  
Fax: +55 19 2103 2862  
latam.boschsecurity@bosch.com  
www.boschsecurity.com