

REG-D1 License Plate Cameras

www.boschsecurity.com



BOSCH
Invented for life



- ▶ License plate capture with color overview camera for surrounding area surveillance
- ▶ High-speed capture to 160 km/h (100 mph)
- ▶ Integrated LED illumination for night-time image capture
- ▶ Ambient rejection technology eliminates problems caused by headlight glare
- ▶ Low voltage, energy efficient operation

The REG-D1 series delivers advanced license plate capture performance and features a high resolution color overview camera for surrounding area surveillance to identify vehicle model and color. REG-D1 integrates advances in optics, electronics, infrared illumination and ambient rejection technology to overcome all the challenges typically associated with license plate capture to deliver consistent, reliable images in the most challenging of conditions. With an operational range of up to 25 m (82 ft), the REG-D1 delivers high contrast license plate images across the complete spectrum of ambient lighting from total darkness to direct glare from sunlight or vehicle headlights regardless of the prevailing lighting conditions. The camera can capture clear plate images from vehicles traveling at speeds of up to 160 km/h (100 mph), making REG-D1 suitable for motorways and highways applications.

The camera housing is weather sealed and IP66 / NEMA 4 rated for field-proven performance in the most extreme surveillance conditions. LED infrared illumination ensures consistent, reliable capture day and night.

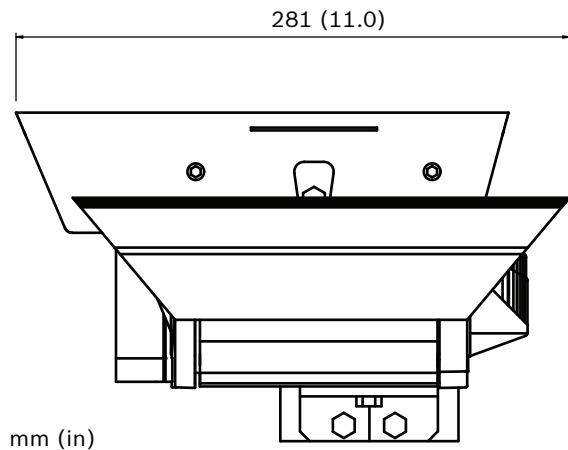
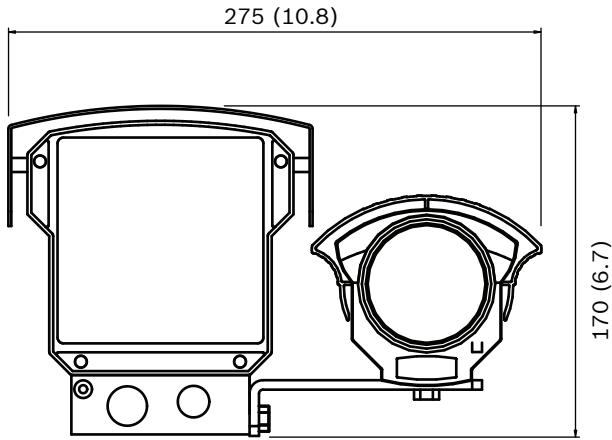
REG-D1 is designed to work with NVRs and DVRs, and is specifically engineered for easy integration with third party ANPR software.

Applications

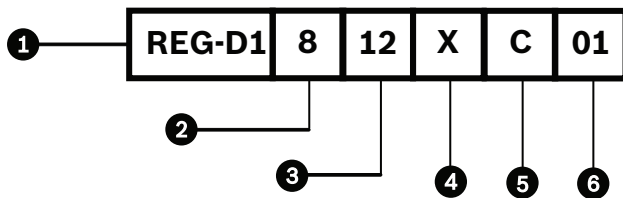
- ANPR
- Traffic Monitoring
- Border Control
- Parking
- Security and Access Control
- Post event investigation
- Police

Installation/Configuration Notes

Dimensions



Ordering chart



1	Model		REG-D1
2	Wavelength	8	850 nm
3	Lens	0	8 mm
		1	
		2	
		0	12 mm
		1	
		6	

		0	16 mm
		2	
		5	
		0	25 mm
		3	
		5	
		0	35 mm
		5	
		0	50 mm
		7	
		5	
4	Camera Type	X	Standard
5	Region	C	CCIR
		E	EIA
6	Color	0	Black
		1	

Technical Specifications

Operational Range	Up to 25 m (82 ft)
Camera Sensors	License plate capture and color overview camera: 1/3" High-Sensitivity CCD sensors
Camera Resolution	License plate capture camera: 520 TVL Overview camera: 540 TVL color
Lens focal length	License plate capture: see ordering chart Overview: 5-50 mm
IR Illumination	850 nm LED infrared array
Typical Operational Life	> 5 years
Power Input	12 – 24 VAC or VDC
Power Consumption	30 W max.
Operational Temp. Range	-50°C to +50°C (-58°F to +122°F)
Construction	Robust, weather sealed aluminum casting and extrusion
Environmental	Designed to IP66 / NEMA 4
Dimensions	281 x 275 x 170 mm (11.0 x 10.8 x 6.6 in)
Weight	5.8 kg (12.7 lb)
Color	Black (RAL 9005)
Bracket	Order bracket separately

Camera Selection Tables

Range for 12 x 6 in (305 x 152 mm) number plates (common in North America)

Model	Range	Optimal Distance
-------	-------	------------------

REG-D1-816	4 to 7 m (12 to 22 ft)	5 m (16 ft)
REG-D1-825	6 to 10 m (20 to 34 ft)	8 m (25 ft)
REG-D1-835	8 to 15 m (27 to 48 ft)	11 m (35 ft)
REG-D1-850	12 to 21 m (40 to 68 ft)	15 m (50 ft)
REG-D1-875	17 to 24 m (55 to 80 ft)	23 m (75 ft)

Range for 520 x 111 mm (20.5 x 4.4 in) number plates
(common in Europe)

Model	Range	Optimal Distance
REG-D1-812	3 to 6 m (10 to 20 ft)	5 m (16 ft)
REG-D1-816	5 to 8 m (16 to 26 ft)	7 m (23 ft)
REG-D1-825	7 to 12 m (23 to 40 ft)	10 m (33 ft)
REG-D1-835	11 to 18 m (34 to 60 ft)	15 m (50 ft)
REG-D1-850	17 to 25 m (56 to 82 ft)	22 m (72 ft)

Ordering Information

REG-D1-812XC-01 License Plate Camera

License plate reader with LED 850 nm, lens 8 mm, SX8 camera, CCIR, black
Order number **REG-D1-812XC-01**

REG-D1-816XC-01 License Plate Camera

License plate reader with LED 850 nm, lens 12 mm, SX8 camera, CCIR, black
Order number **REG-D1-816XC-01**

REG-D1-825XC-01 License Plate Camera

License plate reader with LED 850 nm, lens 16 mm, SX8 camera, CCIR, black
Order number **REG-D1-825XC-01**

REG-D1-835XC-01 License Plate Camera

License plate reader with LED 850 nm, lens 25 mm, SX8 camera, CCIR, black
Order number **REG-D1-835XC-01**

REG-D1-850XC-01 License Plate Camera

License plate reader with LED 850 nm, lens 35 mm, SX8 camera, CCIR, black
Order number **REG-D1-850XC-01**

REG-D1-816XE-01 License Plate Camera

License plate reader with LED 850 nm, lens 12 mm, SX8 camera, EIA, black
Order number **REG-D1-816XE-01**

REG-D1-825XE-01 License Plate Camera

License plate reader with LED 850 nm, lens 16 mm, SX8 camera, EIA, black
Order number **REG-D1-825XE-01**

REG-D1-835XE-01 License Plate Camera

License plate reader with LED 850 nm, lens 25 mm, SX8 camera, EIA, black
Order number **REG-D1-835XE-01**

REG-D1-850XE-01 License Plate Camera

License plate reader with LED 850 nm, lens 35 mm, SX8 camera, EIA, black
Order number **REG-D1-850XE-01**

REG-D1-875XE-01 License Plate Camera

License plate reader with LED 850 nm, lens 50 mm, SX8 camera, EIA, black
Order number **REG-D1-875XE-01**

Accessories

EXPS.009 VAC Power Supply

Power supply 24 VAC, 2500 mA RoHS
Order number **EXPS.009**

EXMB.015B Pole Mount Adapter Bracket

Pole Mount Adapter, black
Order number **EXMB.015B**

EXMB.017B Wall Mount Adapter Bracket

Wall Mount Adapter, Black
Order number **EXMB.017B**

EXMB.028B Cable Managed Wall Bracket

Cable-managed arm bracket, black
Order number **EXMB.028B**

EXMB.029B Ceiling Mount Bracket

Ceiling Mount Bracket, Black
Order number **EXMB.029B**

EXMB.061 Pole Top Bracket

Stainless Pole Top Bracket
Order number **EXMB.061**

MBE-28B Black Bracket Arm Mount

Black mounting bracket for use with the REG-D1 or the REG-L1 License Plate Camera
Order number **MBE-28B**

MBE-15B Black Pole Mount Adapter Plate

Black adapter plate used to attach an MBE-27 or MBE-28 along with an EXMB.020B Heavy Duty L Bracket to a pole.
Order number **MBE-15B**

MBE-17B Black Wall Mount Adapter Plate

Black adapter plate used to attach an MBE-27 or MBE-28 along with an EXMB.020B Heavy Duty L Bracket to a wall.
Order number **MBE-17B**

Represented by:

Americas:

Bosch Security Systems, Inc.
130 Perinton Parkway
Fairport, New York, 14450, USA
Phone: +1 800 289 0096
Fax: +1 585 223 9180
security.sales@us.bosch.com
www.boschsecurity.us

Europe, Middle East, Africa:

Bosch Security Systems B.V.
P.O. Box 80002
5617 BA Eindhoven, The Netherlands
Phone: + 31 40 2577 284
Fax: +31 40 2577 330
emea.securitysystems@bosch.com
www.boschsecurity.com

Asia-Pacific:

Robert Bosch (SEA) Pte Ltd, Security
Systems
11 Bishan Street 21
Singapore 573943
Phone: +65 6571 2808
Fax: +65 6571 2699
apr.securitysystems@bosch.com
www.boschsecurity.asia

China:

Bosch (Shanghai) Security Systems Ltd.
201 Building, No. 333 Fuquan Road
North IBP
Changning District, Shanghai
200335 China
Phone +86 21 22181111
Fax: +86 21 22182398
www.boschsecurity.com.cn

America Latina:

Robert Bosch Ltda Security Systems Division
Via Anhanguera, Km 98
CEP 13065-900
Campinas, Sao Paulo, Brazil
Phone: +55 19 2103 2860
Fax: +55 19 2103 2862
al.securitysystems@bosch.com
www.boschsecurity.com