

Advantage Line



# AN bullet 4000

## 960H Day/Night Bullet Camera



**BOSCH**

en User Manual

简体中文版 使用手册

# Table of Contents

---

**1 Cautions**

---

**2 Important safety instruction**

---

**3 Features**

---

**4 Components**

---

**5 Camera parts**

---

**6 Installation**

- 6.1 Mounting position
- 6.2 Monitor connection
- 6.3 Camera adjustment

---

**7 OSD menu structure**

---

**8 Specification**

- 8.1 Dimensions

# 1 Cautions

## This device complies with Part 15 of the FCC Rules. Operation is subject to the following two conditions;

1. This device may not cause harmful interference.
2. This device must accept any interference received, including interference that may cause undesired operation.



### Note!

This equipment has been tested and found to comply with the limits for a Class A digital device, pursuant to part 15 of the FCC Rules. These limits are designed to provide reasonable protection against harmful interference when the equipment is operated in a commercial environment. This equipment generates, uses, and can radiate radio frequency energy and, if not installed and used in accordance with the instruction manual, may cause harmful interference to radio communications. Operation of this equipment in a residential area is likely to cause harmful interference in which case the user will be required to correct the interference at his own expense."



### WARNING

This is a class A product. In a domestic environment this product may cause radio interference in which case the user may be required to take adequate measures.



### CAUTION!

Any changes or modifications in construction of this device which are not expressly approved by the party responsible for compliance could void the user's authority to operate the equipment.



### CAUTION!

1. A regulated DC12V 300mA power supply is recommended for use with this camera for the best picture and the most stable operation. An unregulated power supply can cause damage to the camera. When unregulated power supply is applied, product warranty will be out of subject.
2. It is recommended that the camera is used with a monitor that has a CCTV quality 75 video impedance level. If your monitor is switched to high impedance then please adjust accordingly.
3. Do not attempt to disassemble the camera to gain access to the internal components. Refer servicing to your dealer.
4. Never face the camera towards the sun or any bright or reflective light, which may cause smear on the picture and possible damage to the CCD.
5. Do not remove the serial sticker for the warranty service.
6. Do not expose the camera to rain or other types of liquid.
7. The apparatus must be connected to a mains socket-outlet with a protective earthing connection.



## Correct Disposal of This Product (Waste Electrical & Electronic Equipment)

(Applicable in the European Union and other European countries with separate collection systems)

This marking shown on the product or its literature, indicate that it should not be disposed with other household wastes at the end of its working life. To prevent possible harm to the environment or human health from uncontrolled waste disposal, please separate this from other types of wastes and recycle it responsibly to promote the sustainable reuse of material resources.

This product should not be mixed with other commercial wastes purchased this product, or their local government office, for details of where and how they can take item for environmentally safe recycling. Business users should contact their supplier and check the terms and conditions of the purchase contract.

Household users should contact either the retailer where they for disposal.



### CAUTION

**RISK OF ELECTRIC SHOCK DO NOT OPEN**



**CAUTION:** TO REDUCE THE RISK OF ELECTRIC SHOCK, DO NOT REMOVE COVER(OR BACK). NO USER. SERVICING TO QUALIFIED SERVICE PERSONNEL.



This symbol is intended to alert the user to the presence of uninsulated "dangerous voltage" within the product's enclosure that may be of sufficient magnitude to constitute a risk of electric shock to persons.



This symbol is intended to alert the user to the presence of important operating and maintenance(servicing) instruction in the literature accompanying the appliance.



### CAUTION!

These servicing instructions are for use by qualified service personnel only. To reduce the risk of electric shock do not perform any servicing other than that contained in the operating instructions unless you are qualified to do so.

Use Class 2 Power Supply Only

## 2 Important safety instructions

1. Read these instructions.
2. Keep these instructions.
3. Heed all warnings.
4. Follow all instructions.
5. Do not use this apparatus near water.
6. Clean only with dry cloth.
7. Do not block any ventilation openings. Install in accordance with the manufacturer's instructions.
8. Do not install near any heat sources such as radiators, heat registers, stoves, or other apparatus (including amplifiers) that produce heat.
9. Do not defeat the safety purpose of the polarized or grounding-type plug. A polarized plug has two blades with one wider than the other. A grounding type plug has two blades and a third grounding prong. The wide blade or the third prong are provided for your safety. If the provided plug does not fit into your outlet, consult an electrician for replacement of the obsolete outlet.
10. Protect the power cord from being walked on or pinched particularly at plugs, convenience receptacles, and the point where they exit from the apparatus.
11. Only use attachments/accessories specified by the manufacturer.
12. Use only with the cart, stand, tripod, bracket, or table specified by the manufacturer, or sold with the apparatus. When a cart is used, use caution when moving the cart/apparatus combination to avoid injury from tip-over.



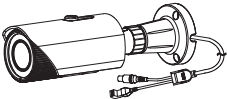



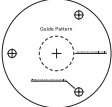

13. Unplug this apparatus during lightning storms or when unused for long periods of time.
14. Refer all servicing to qualified service personnel. Servicing is required when the apparatus has been damaged in any way, such as power-supply cord or plug is damaged, liquid has been spilled or objects have fallen into the apparatus, the apparatus has been exposed to rain or moisture, does not operate normally, or has been dropped.

## 3 Features

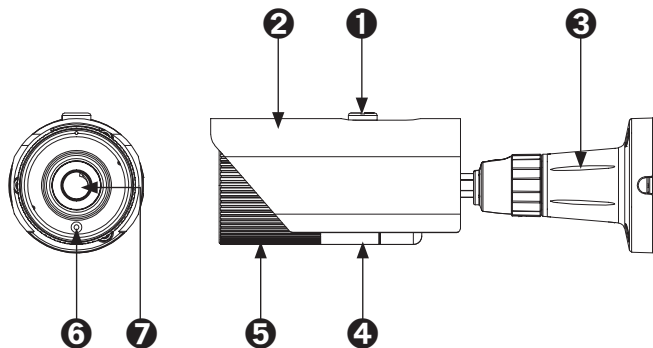
The camera has the following features:

- Ultra high resolution, 960H (1/3") Sensor
- 2.8-12mm lens with True Day/Night filter for optimum performance in various lighting conditions.
- 720 TV Lines Horizontal Sensor Resolution.
- Multi language On Screen Display (OSD) with joystick control.
- 2DNR.
- 4 Privacy Zones.
- Motion Detection.
- ATR(Adaptive Tone-curve Reproduction / Digital WDR)
- Cable managed bracket for secure and clean installation.
- Vandal resistant. (IK08)
- Outdoor rated. (IP66)

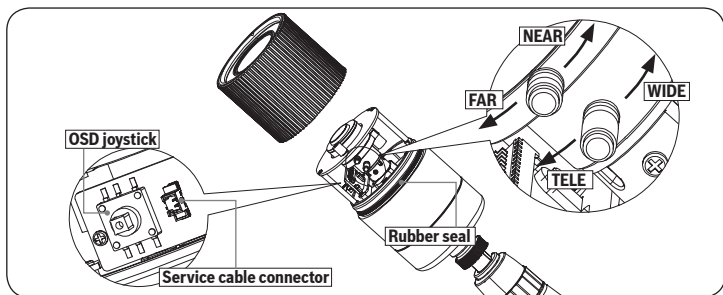
## 4 Components

	Qty	Description
	1	VTN-4075-V3x1(C) camera with integrated mounting bracket
	1	Video Output Test Cable
	3	Screws (PH/1(SUS) 5x30)
	1	Wrench (M6 hex)
	1	Guide Pattern
	1	User Manual (this booklet)

## 5 Camera parts



- 1 Sunshield Fixing Bolt
- 2 Sunshield
- 3 Mounting Bracket
- 4 Housing Body
- 5 Housing Front
- 6 Photo cell
- 7 Lens



## 6 Installation

### 6.1 Mounting position

To prevent injury, this apparatus must be securely attached to the floor/wall in accordance with the installation instructions.

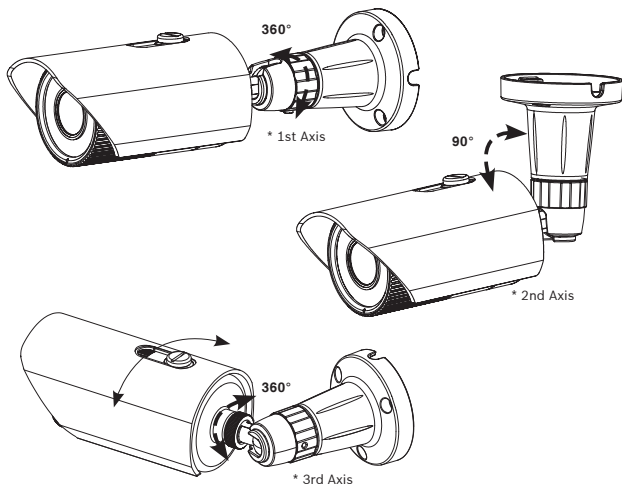
**NOTICE!** The image sensors in modern cameras are highly sensitive and require special care for proper performance and extended lifetime. Follow the guidelines for optimum results with your camera:

- Do not expose to direct sunlight or bright spotlights in operating and nonoperating conditions.
- Avoid bright lights in the field of view of the camera. Bright lights cause a “smearing” effect, which is visible as white lines above and below the highlight. Prolonged exposure to bright lights may cause bleaching of the sensor’s color filters. This will be visible as colored spots in the picture and is irreversible.

**WARNING!** The mounting surface, mounting screws/plugs, and junction box must be stable and capable of supporting a maximum load of 4 kg (8.82 pounds). Mounting to an improper surface or using improper mounting material can cause camera malfunction and is a potential safety hazard.

**WARNING!** Make sure that appropriate mounting screws and anchors are used for the surface to which the camera is mounted. The supplied universal mounting screws can be used with most plastic anchors, please confirm compatibility before mounting the camera.

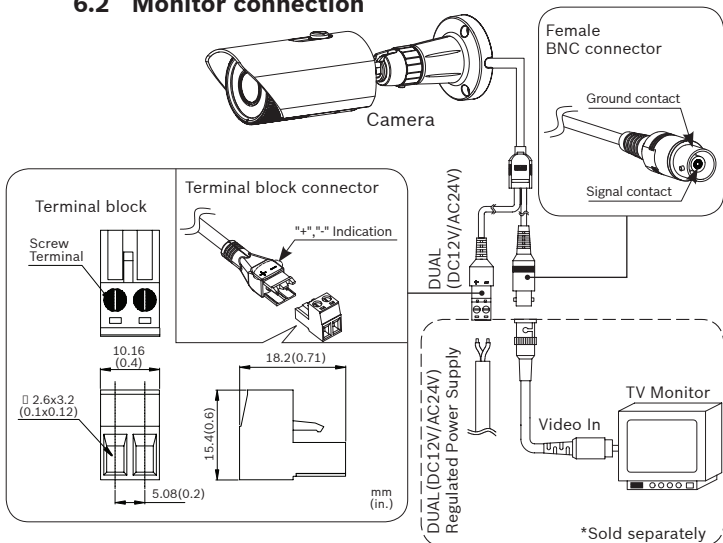
**CAUTION!** To prevent humidity problems, the camera must be installed in dry conditions, and the cable leads should be sealed after they are connected.





## 6 Installation

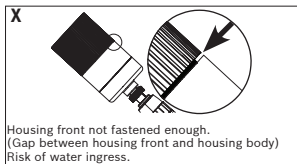
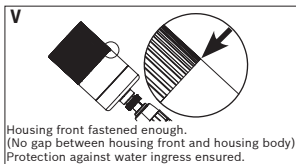
### 6.2 Monitor connection



### 6.3 Camera adjustment

**CAUTION!** To prevent humidity problems, the camera must be installed in dry conditions. The housing front should never be removed in wet or moist conditions. Doing so could cause condensation on the inside of the camera window.

1. Remove the housing front.
2. Connect service monitor. (optional)
3. Adjust zoom and focus.
4. Fasten the zoom and focus lever.
5. Adjust OSD settings. (refer to OSD section)
6. Disconnect service monitor cable. (optional)
7. Re-mount housing front. Include warning to (1) check rubber seal is in place. And (2) tighten housing front firmly to ensure protection against water ingress.



## 7 OSD menu structure

MAIN MENU	1st Sub	2nd Sub	3rd Sub	4th Sub
LENS	MANUAL			
	AUTO	TYPE	DC	
		MODE	AUTO, OPEN, CLOSE	
		SPEED	(000 ~ 255)	
		RETURN		

SHUTTER / AGC	AUTO	HIGH LUMINANCE	MODE	SHUT, AUTO IRIS SHUT+AUTO IRIS,
			BRIGHTNESS	(000 ~ 255)
		LOW LUMINANCE	MODE	AGC,OFF
			BRIGHTNESS	x0.25, x0.50, x0.75, x1.00
		RETURN		
	MANUAL	MODE	SHUT+AGC	
		SHUTTER	1/50(PAL),1/120(PAL) 1/60(NTSC),1/100(NTSC) 1/250,1/500,1/1000,1/2000 1/4000,1/10000	
		AGC	6, 12, 18, 24, 30, 36, 42, 44.8	
RETURN				

\* SHUT+IRIS: Both the Shutter and the Mechanical Iris are automatically adjusted according to brightness.

\* Auto lirs(Default): The Shutter stays at the manually selected value and only the Mechanical Iris adjusts brightness.

MAIN MENU	1st Sub	2nd Sub	3rd Sub	4th Sub
WHITE BAL	ATW	SPEED	(000 ~ 255)	
		DELAY CNT	(000 ~ 255)	
		ATW FRAME	x0.50,x1.00,x1.50,x2.00	
		ENVIRONMENT	INDOOR,OUTDOOR	
		RETURN		
	PUSH			
	USER1	B-GAIN	(000 ~ 255)	
		R-GAIN	(000 ~ 255)	
		RETURN		
	USER2	B-GAIN	(000 ~ 255)	
		R-GAIN	(000 ~ 255)	
		RETURN		
	ANTI CR			
	MANUAL	LEVEL	NTSC:(30 ~ 115) PAL:(28 ~ 134)	
		RETURN		
PUSH LOCK				
BACK LIGHT	OFF,BLC,HLC			

## 7 OSD menu structure

MAIN MENU	1st Sub	2nd Sub	3rd Sub	4th Sub
PIC ADJUST	MIRROR	OFF,ON		
	BRIGHTNESS	(000 ~ 255)		
	CONTRAST	(000 ~ 255)		
	SHARPNESS	(000 ~ 255)		
	HUE	(000 ~ 255)		
	GAIN	(000 ~ 255)		
	RETURN			

ATR	OFF			
	ON	LUMINANCE	LOW,MID,HIGH	
		CONTRAST	LOW,MIDLOW,MID, MIDHIGH,HIGH	
		RETURN		

### \* ATR (Adaptive Tone-Curve Reproduction)

The function provides gradation compensation to improve the contrast of subjects both low luminance areas and high luminance areas.

MAIN MENU	1st Sub	2nd Sub	3rd Sub	4th Sub
MOTION DET	ON	DETECT SENS	(000 ~ 127)	
		BLOCK DISP	OFF, ON, ENABLE (CONTROLLER)	
		MONITOR AREA	ON,OFF	
		AREA SEL	1/4, 2/4, 3/4, 4/4	
			TOP	NTSC:(000 ~ 244) PAL: 000 ~ 288
			BOTTOM	NTSC:(000 ~ 244) PAL:(000 ~ 288)
			LEFT	NTSC:(000 ~ 474) PAL:(000 ~ 468)
		RIGHT	NTSC:(000 ~ 474) PAL:(000 ~ 468)	
		RETURN		
	OFF			
NEXT				
EXIT				
SAVE ALL				

## 7 OSD menu structure

MAIN MENU	1st Sub	2nd Sub	3rd Sub	4th Sub
PRIVACY	ON	AREA SEL	1/4, 2/4, 3/4, 4/4	
			TOP	NTSC:(000 ~ 244) PAL:(000 ~ 288)
			BOTTOM	NTSC:(000 ~ 244) PAL:(000 ~ 288)
			LEFT	NTSC:(000 ~ 474) PAL:(000 ~ 468)
			RIGHT	NTSC:(000 ~ 474) PAL:(000 ~ 468)
		COLOR	1 ~ 8	
		TRANSP	0.00, 0.50, 0.75, 1.00	
		MOSAIC	OFF,ON	
	RETURN			
	OFF			

DAY/NIGHT	AUTO	BURST	OFF,ON	
		DELAY CNT	0 ~ 255	
		DAY -> NIGHT	0 ~ 255	
		NIGHT -> DAY	0 ~ 255	
		RETURN		
	COLOR			
	BW	BURST	OFF, ON	
		RETURN		
EXT1				
EXT2				

NR	NR MODE	OFF, Y, C, Y/C	
	Y LEVEL	(000 ~ 015)	
	C LEVEL	(000 ~ 015)	
	RETURN		

CAMERA ID	OFF		
	ON	EDIT MODE RETURN	

LANGUAGE	ENGLISH, 日本語, DEUTSCH, FRANCAIS, Русский PORTUGUÉS, ESPAÑOL, 中文
----------	--

CAMERA RESET	
BACK	
EXIT	
SAVE ALL	

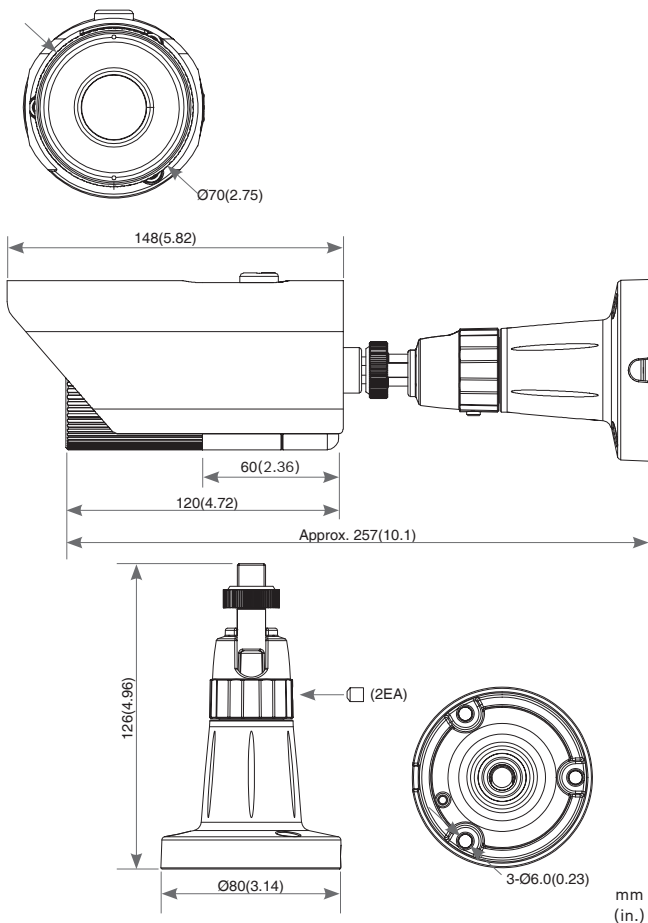
### \* Important Note:

- Any changes made to the camera settings must be saved prior to exiting the OSD menu. Otherwise all changes will be discarded.
- By changing the lens option in the OSD from MANUAL to AUTO will automatically change the SHUTTER/AGC setting from AUTO IRIS to SHUT+AUTO IRIS. (Default:AUTO IRIS)

## 8 Specification

Model	VTN-4075-V321(NTSC)	VTN-4075-V311(PAL)
Image Device	Ultra high resolution, 960H (1/3") Sensor	
Scanning System	2 : 1 Interlace	
Scanning Frequency	15.734 KHz(H), 59.94 Hz(V)	15.625 KHz(H), 50 Hz(V)
H. Sensor Res.	720TVL	
Actual H. Res.	650TVL	
Total Pixels	1020(H)x508(V)	1020(H)x596(V)
Effective Pixels	976(H)x494(V)	976(H)x582(V)
S/N Ratio	More than 50dB (AGC Off)	
Min. Illumination	COLOR (0.05 Lux), BW (0.02Lux)	
Sync. System	Internal	
Gamma	r = 0.45	
Video Output	1.0 Vp-p Composite (75Ω)	
Lens	Varifocal Auto IRIS & DN Lens Built-in	
Lens focal length	2.8-12mm	
Aperture	F1.4-360	
Lens adjustment	Internal	
Electronic Shutter	1/60 sec	1/50 sec
BLC	OFF / BLC / HLC	
White Balance	ATW / PUSH / USER1 / USER2 / ANTI CR / MANUAL / PUSH-LOCK	
2DNR	On / Off (Level Adjustable)	
ATR	On / Off (Level Adjustable)	
Function	MIRROR / BRIGHTNESS / CONTRAST / SHARPNESS / HUE / GAIN	
Motion Detection	Zone 4ea	
Privacy Masking	Zone 4ea	
Language	English, Japanese, German, French, Russian, Portuguese, Spanish, Simplified Chinese	
Day & Night	True Day & Night with ICR Mechanism	
OSD	Built-in	
OSD Control	Internal	
IP Rating	IP66 (Water resistant)	
Operating Temperature	-30°C to +50°C (-22°F to + 122°F)	
Storage Temperature	-20°C to +60°C (-4°F to + 140°F)	
Power Consumption	Dual : DC12V(±10%), Max. 190 mA / AC24V(±10%), Max. 2.9 W	
Cable Management Bracket	Yes	
Video interface	1 standard BNC connector for analog output	
Weight	Approx. 960g (including bracket)	
Housing material	Casted/machined Aluminium	
Paint color	Camera / bracket: Black RAL9017 Sunshield: Silver grey RAL9006	
Vandal resistant	Yes (IK08)	
Outdoor rated	Yes (IP66)	

## 8-1 Dimensions





# 目录

- 
- 1 注意事项

---

  - 2 重要安全指示

---

  - 3 特性

---

  - 4 组件

---

  - 5 摄像机零件

---

  - 6 安装
    - 6.1 装配位置
    - 6.2 连接监视器
    - 6.3 摄像机调整

---

  - 7 屏幕显示选单结构

---

  - 8 规格
    - 8.1 尺寸



# 1 注意事项

## 此装置符合FCC条例第15部分的规定。 操作需符合以下两种条件；

1. 此装置不会引起有害的干扰。
2. 此装置必须能够承受任何收到的干扰，包括可能引起意外操作的干扰。



### 注记！

根据FCC条例第15部分之规定，此装备经证实符合A类数字装置的限制规定。这些限制的目的是为了在商业环境中操作本装备时，可提供适当防护，以防止有害的干扰。本装备会产生、使用且能发射射频能量，若未依据操作指南安装时，可能会对无线电通信产生有害干扰。在住宅区操作本装备时可能造成有害干扰，此时，用户需自费矫正此干扰。



### 警告

此为A类产品。在家用环境下，此产品可能引发无线电干扰，在此情况下，用户需采取适当措施。



### 注意！

装备的结构未经负责合规性的相关方明确许可的变更或修改，都可能致使用户失去操作本装备的权利。



### 注意！

1. 为了获得最佳图像且保持稳定操作，此摄像机建议采用稳压的12V 300mA直流电源。非稳压的供应电源可能造成摄像机受损。  
采用非稳压电源供应时，产品将不在保固范围内。
2. 建议应将此摄像机，与拥有CCTV品质75视频阻抗等级的监视器一起使用。  
当监视器切换为高阻抗时，请相应调整。
3. 请勿尝试拆解摄像机以接近内部组件。保修请洽询您的经销商。
4. 请勿将摄像机直接朝向日光或任何强光或反射光线，以免图像模糊且可能致使CCD(电荷耦合组件)受损。
5. 请勿拆除保固服务的序号标签。
6. 请勿让摄像机暴露在雨水或其它类型的液体中。
7. 此装置必需连接到具有保护接地的主电源插座。



## 正确弃置本产品 (废弃电器与电子设备)

(适用于欧盟及其它拥有分类回收制度的欧洲国家)

产品或其文件上显示此记号时，表示当其使用寿命结束时，不应以其它家庭废弃物方式处理。

为避免由于未受控制的废弃物处理方式，对环境或人类健康产生可能的伤害，请与其它类型废弃物分开并回收，让材料资源可持续再利用。

本产品不可与其它商业垃圾混合，有关环保回收项目的地点与方法的详细信息，请向购买处所或您当地的政府办事处洽询。

企业用户应与其供货商联系，并确认其购买合同条款与条件。

家庭用户应向零售商洽询其处置方式。



### 注意

触电危险请勿开启



注意：为了降低触电风险，用户请勿拆除外盖(或背盖)。请交由合格的服务人员进行保修。



为了降低触电风险，用户请勿拆除外盖(或背盖)。请交由合格的服务人员进行保修。



此符号是在提醒使用者，随附于装置的文件中，有重要的操作与保养(服务)指南。



### 注意!

这些保修指南，仅供合格的服务人员使用。为了降低触电风险，除非您具备资格，否则请勿执行任何操作指南所述以外的保修。

仅能采用等级2的电源供应

## 2 重要安全指示

1. 详读这些指示。
2. 保存这些指示。
3. 注意所有警告事项。
4. 遵照所有指示。
5. 切勿在靠近水的地方使用本装置。
6. 只能以干布进行清洁。
7. 请勿妨碍所有通风口。依据制造商指南进行安装。
8. 请勿安装在像是散热器、通风温度调节设备、火炉或其它会产生热量设备(含放大器)的任何热源附近。
9. 请勿破坏有安全作用的极化或接地型插头。极化插头有两个金属片，其中一片比另一片为宽。接地型插头则有两个插片和第三支用来接地的插脚。宽的金属片或第三支插脚，都是为了您的安全。若所提供的插头不适用于您的插座时，请洽询合格电工更换老式插座。
10. 保护电源线免被踩踏或挤压，特别是靠近插头、便捷插座及离开该装置的地方。
11. 仅能采用制造商所指定的附件或配件。
12. 仅能采用制造商所指定或随设备出售的推车、支架、三脚架、托架或桌子。使用推车时，移动推车/设备的组合时要特别小心，以免翻倒受伤。



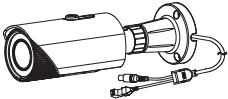



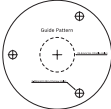

13. 闪电暴风雨或是长期未使用，请将装置插头拔除。
14. 所有保修应交由合格的服务人员进行。当设备已因任何方式损坏时，都需要维修(如电源线或插头损坏、液体溅入或有异物掉入设备中、设备曾曝露于雨中或潮湿环境中、操作不正常或曾被摔落等)。

## 3 特性

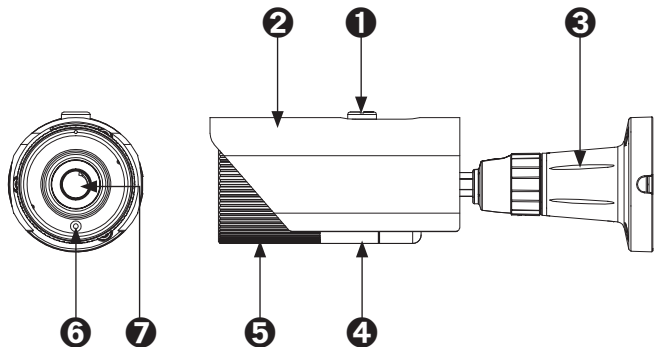
此摄像机有以下特性

- 超高分辨率，960H(1/3" )感应器。
- 拥有真实日/夜滤镜，可提供各种照明条件下最佳性能的8-12mm镜头。
- 720电视线的水平感应器分辨率。
- 附摇杆控制的多国语言屏幕显示(OSD)。
- 2DNR。
- 4个隐私区域。
- 动域检测。
- ATR(自适应色阶再现/数字WDR)
- 电缆管理托架，以利安全与整齐的装设。
- 防破坏。(IK08)
- 室外级。(IP66)

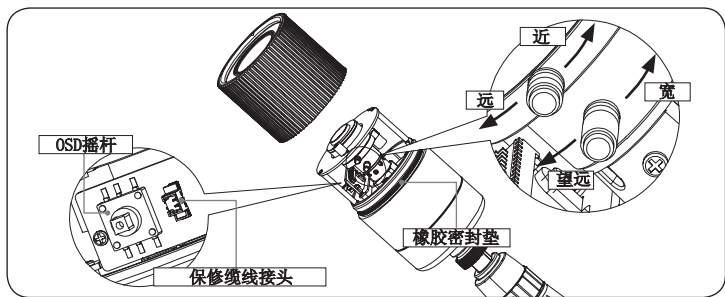
## 4 组件

	数量	说明
	1	VTN-4075-V3x1 (C) 含整合式装配托架的摄像机
	1	视频输出 测试缆线
	3	螺丝 (PH/1 (SUS) 5x30)
	1	扳手 (M6六角)
	1	导引样式板
	1	使用手册 (本手册)

## 5 摄像机零件



- 1 遮阳罩固定螺栓
- 2 遮阳罩
- 3 装配托架
- 4 外罩本体
- 5 外罩前端
- 6 光敏电阻
- 7 镜头



## 6 安装

### 6.1 装配位置

为避免伤害，请依据安装指南，将装置紧密固定在地板/墙壁上。

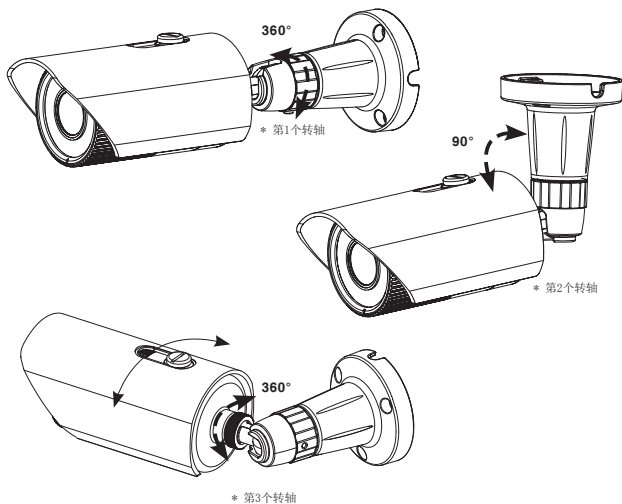
**笔记!** 这个新型摄像机里的图像感应器十分敏感，为确保其性能并延长寿命，必需特别注意。请遵照指南，让您的摄像机获得最佳效果：

- 不论操作或非操作状态下，都不要将它暴露在日光或聚光灯直射处。
- 避免摄像机视野中有强光。强光将造成“拖影”，会在强光上方与下方形成白色线。长期暴露在明亮的光线中，可能导致感应器彩色滤光片白化的情形。这样会在图片中形成彩色斑点，且无法消除。

**警告!** 装配面、装配螺丝/插头及接线盒等均需稳固，且最高能支撑4公斤(8.82磅)的负荷。装配在不适当的表面，或使用了不当的装配材料时，可能造成摄像机故障，且也潜在安全危险。

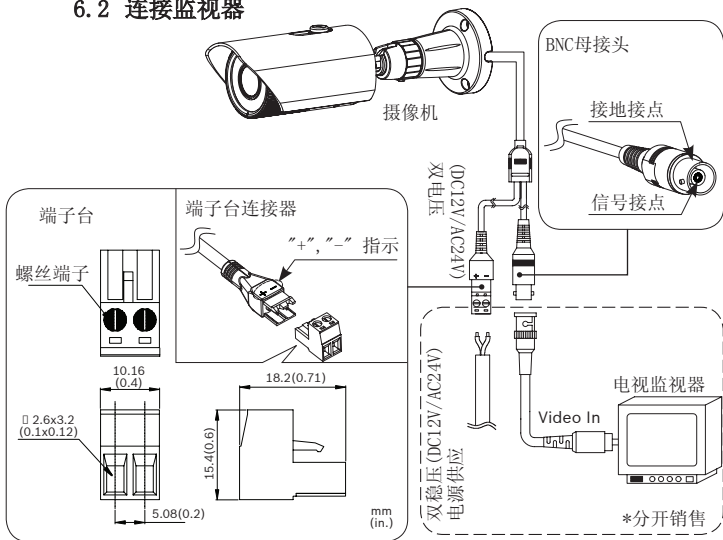
**注意!** 确认装设摄像机表面采用适当的装配螺丝与膨胀管。随附的通用安装螺丝可供大多数塑料膨胀管使用，请在安装摄像机前确认其兼容性。

**警告!** 为避免潮湿问题，摄像机应安装在干燥环境下，当完成连接后，应将电缆导线密封。



## 6 安装

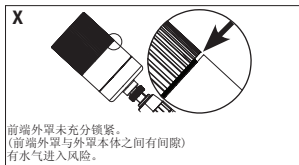
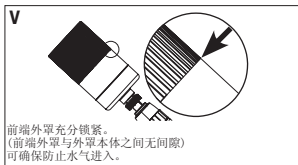
### 6.2 连接监视器



### 6.3 摄像机调整

**注意!** 为避免潮湿问题, 摄像机需安装在干燥环境下。绝对不能在潮湿状况下将前端外罩拆除, 否则可能导致摄像机窗口内部凝结水气。

1. 拆除前端外罩。
2. 连接保修监视器(选购)。
3. 调整缩放与对焦。
4. 固定缩放与对焦控制杆。
5. 调整屏幕显示的设定(请参照屏幕显示乙节)。
6. 卸除保修屏幕缆线(选购)。
7. 装回前端外罩。需特别注意(1)检查橡胶密封垫是否装妥, 及(2)紧固锁紧前端外罩, 确保水气不会进入。



## 7 屏幕显示选单结构

主选单	第1层子选单	第2层子选单	第3层子选单	第4层子选单
镜头	手动			
	自动	控制	DC	
		模式	自动、关闭、开放	
		速度	(000 ~ 255)	
		返回		

快门 / 自动增益控制	自动	高辉度	模式	快门、自动光圈、快门+自动光圈
			亮度	(000 ~ 255)
		低辉度	模式	自动增益控制、关闭
			亮度	x0.25, x0.50, x0.75, x1.00
			返回	
	手动	模式	快门+自动增益	
		快门	1/50 (PAL), 1/120 (PAL) 1/60 (NTSC), 1/100 (NTSC) 1/250, 1/500, 1/1000, 1/2000 1/4000, 1/10000	
			自动增益	6, 12, 18, 24, 30, 36, 42, 44.8
返回				

\*快门+光圈：快门与机械光圈都会依据亮度自动调整。

\*自动光圈(预设)：快门会维持在手动所选择的位置，且只使用光圈来调整亮度。

主选单	第1层子选单	第2层子选单	第3层子选单	第4层子选单
白平衡	自动跟踪白平衡	速度	(000 ~ 255)	
		延迟控制	(000 ~ 255)	
		自动跟踪白平衡框	x0.50, x1.00, x1.50, x2.00	
		环境设置	室内、室外	
		返回		
	推进推进			
	用户1	B增益	(000 ~ 255)	
		R增益	(000 ~ 255)	
		返回		
	用户2	B增益	(000 ~ 255)	
		R增益	(000 ~ 255)	
		返回		
	抑制色滚			
	手动	等级	NTSC: (30 ~ 115) PAL: (28 ~ 134)	
返回				
推进锁定				

逆光补偿	关、逆光补偿、高亮度补偿
------	--------------



## 7 屏幕显示选单结构

主选单	第1层子选单	第2层子选单	第3层子选单	第4层子选单
图像调整	镜像	关、开		
	亮度	(000 ~ 255)		
	对比度	(000 ~ 255)		
	锐度	(000 ~ 255)		
	色调	(000 ~ 255)		
	增益	(000 ~ 255)		
	返回			

自适应色阶再现	关			
	开	辉度	低、中、高	
		对比度	低、中等偏低、中、中等偏高、高	
		返回		

### \* ATR (自适应色阶再现)

此功能提供了色调补偿，以提高存在同一个画面低亮度与高亮度等区域的主体对比度。

主选单	第1层子选单	第2层子选单	第3层子选单	第4层子选单
动域检测	开	检测灵敏度	(000 ~ 127)	
		块状显示	关、开、开启(控制器)	
		监视区域	开、关	
		区域选择	1/4, 2/4, 3/4, 4/4	
			上	NTSC:000 ~ 244 PAL:000 ~ 288
			下	NTSC:000 ~ 244 PAL:000 ~ 288
			左	NTSC:000 ~ 474 PAL:000 ~ 468
	右	NTSC:000 ~ 474 PAL:000 ~ 468		
	返回			
	关			
下一页				
退出				
全部储存				

## 7 屏幕显示选单结构

主选单	第1层子选单	第2层子选单	第3层子选单	第4层子选单
隐私区域屏蔽	开	区域选择	1/4, 2/4, 3/4, 4/4	
			上	NTSC: (000 ~ 244) PAL: (000 ~ 288)
			下	NTSC: (000 ~ 244) PAL: (000 ~ 288)
			左	NTSC: (000 ~ 474) PAL: (000 ~ 468)
		右	NTSC: (000 ~ 474) PAL: (000 ~ 468)	
		彩色	1 ~ 8	
		透明度	0.00, 0.50, 0.75, 1.00	
		马赛克	关、开	
	返回			
	关			

日/夜模式	自动	脉冲	关、开	
		延迟控制	0 ~ 255	
		日->夜	0 ~ 255	
		夜->日	0 ~ 255	
		返回		
	彩色			
	黑白	脉冲 返回	关、开	
外部1				
外部2				

减噪	减噪模式	关, Y, C, Y/C		
	Y等级	(000 ~ 015)		
	C等级	(000 ~ 015)		
	返回			

摄像机标示码	关			
	ON	编辑模式		
		返回		

语言	英语、日语、德语、法语、俄语、葡萄牙语、西班牙语、中文			
----	-----------------------------	--	--	--

摄像机复位				
上一页				
退出				
全部储存				

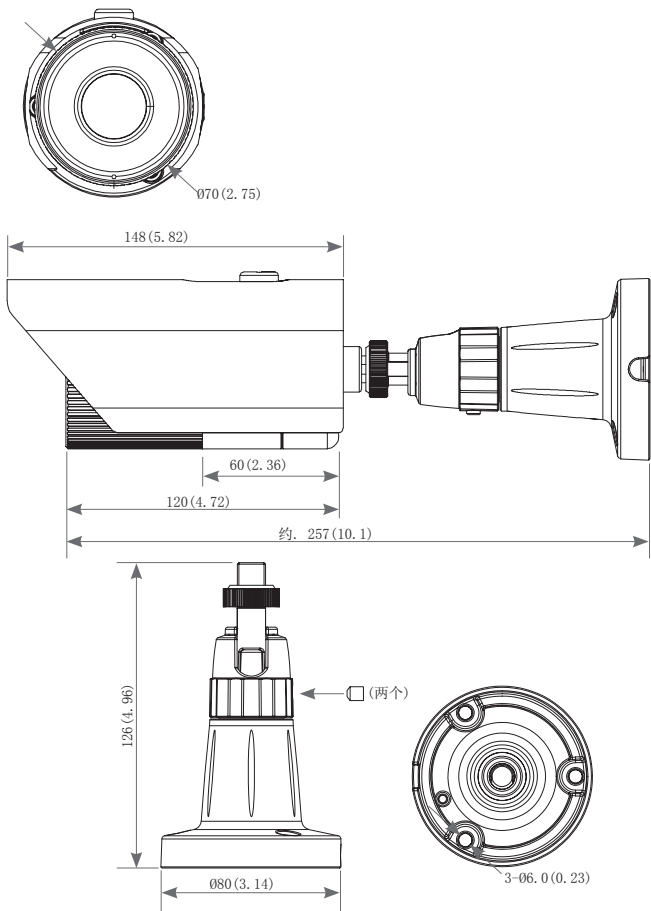
**\* 重要注记:**

- 在退出屏幕显示选单前, 需先储存所有在摄像机设定上所做的变更。否则所有变更都会无效。
- 将屏幕显示中之镜头选项从手动改为自动, 可以自动将快门/自动增益控制设定, 从自动光圈变为快门+自动光圈(默认值为自动)。

## 8 规格

型式	VTN-4075-V321 (NTSC)	VTN-4075-V311 (PAL)
图像装置	超高分辨率, 960H (1/3") 感应器	
扫描系统	2 : 1交错	
扫描频率	15.734 KHz (H), 59.94 Hz (V)	15.625 KHz (H), 50 Hz (V)
感应器水平分辨率	720TVL	
实际水平分辨率	650TVL	
总像素	1020(水平) x 508(垂直)	1020(水平) x 596(垂直)
有效像素	976(水平) x 494(垂直)	976(水平) x 582(垂直)
信杂(S/N)比	大于50dB(自动增益关闭)	
最低照度	彩色(0.05 Lux)、黑白(0.02Lux)	
同步系统	内部	
伽玛值	r = 0.45	
视频输出	1.0 V <sub>p-p</sub> 复合(75 Ω)	
镜头	变焦自动光圈与内建式DN镜头	
镜头焦距	2.8-12 mm	
光圈	F1.4 360	
镜头调整	内部	
电子快门	1/60秒	1/50秒
逆光补偿	关闭 / 逆光补偿 / 高亮度补偿	
白平衡	自动跟踪白平衡 / 推进 / 用户1 / 用户2 / 抑制色滚 / 手动 / 推进锁定	
2DNR	开/关(等级可调整)	
自适应色阶再现	开/关(等级可调整)	
功能	镜像/亮度/对比度/锐度/色调/增益	
动域检测	4个区域	
隐私区域屏蔽	4个区域	
语言	英语、日本語、德语、法语、俄语、葡萄牙语、西班牙语、中文	
日与夜	真实日 / 夜转换, ICR	
屏幕显示	内建	
屏幕显示控制	内部	
IP防护等级	IP66(防水)	
操作温度	-30°C至+50°C (-22°F至+122°F)	
储存温度	-20°C至+60°C (-4°F至+140°F)	
电力消耗	双重: 直流12V(±10%), 最高190mA / 交流24V(±10%), 最高2.9W	
缆线管理托架	支持	
视频接口	1个供模拟输出使用的标准BNC接头	
重量	约960g(含托架)	
外壳材料	铸造 / 机械加工铝质	
油漆颜色	摄像机 / 托架: 黑色RAL9017 遮阳罩: 银灰色RAL9006	
防破坏	是(IK08)	
室外等级	是(IP66)	

## 8-1 尺寸









**Bosch Security Systems**

**[www.boschsecurity.com](http://www.boschsecurity.com)**

(c) Bosch Security Systems, 2013